

Interleaver Spec

Customer PN	Product PN	Description
	ITL-C100GHT-02	100-200 GHz C-Band Interleaver

Performance Specifications

Parameters	Units	Specifications			Note
		Min	Typ	Max	
Wavelength Range	nm	1529.16 ~ 1567.13			96 Channels
Wavelength Accuracy	pm	-40		40	Center wavelength at -3 dB
Clear Passband	GHz	-20		20	All the parameter defined in this passband
Insertion Loss	dB			2.0	
Band Width @-0.5dB	GHz	±32			From ITU wavelength
Band Width @-3.0dB	GHz	±45			From ITU wavelength
Band Width @-20.0dB	GHz			±75	From ITU wavelength
Ripple	dB			0.3	
IL Uniformity	dB			0.3	
PDL	dB			0.2	
Adjacent Isolation	dB	25			
CD	ps/nm	-25		25	±10GHz From ITU Grid
PMD	ps			0.5	
Return Loss	dB	40			

*Notes: 1. Insertion Loss tested without connector.

Environmental Conditions

Parameters	Units	Specifications
Operating Ambient Temperature	°C	-5 ~ +65
Storage Ambient Temperature	°C	-40 ~ +85
Relative Humidity	%	5 ~ 95

Parameters	Units	Specifications
Fiber Type		SMF-28, bare fibers
Fiber Length	m	1.0 ±0.1
Optical Connector		No

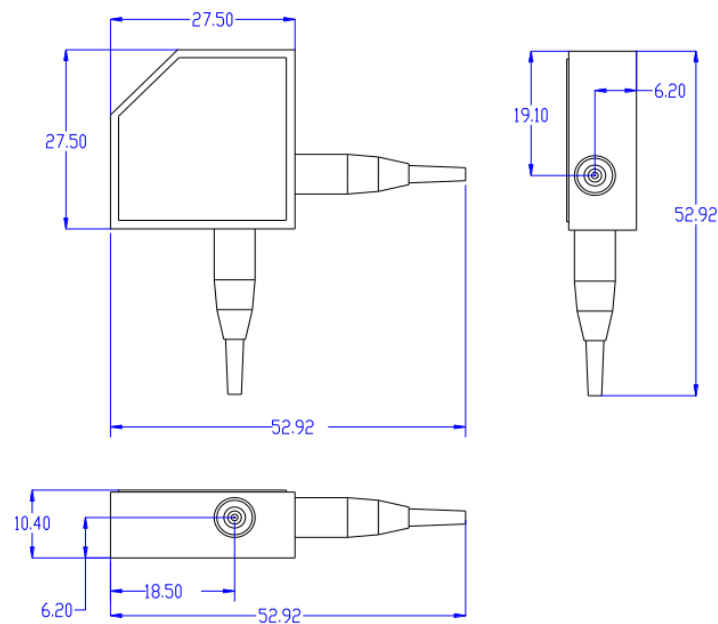
Interleaver Spec

Channel Plan

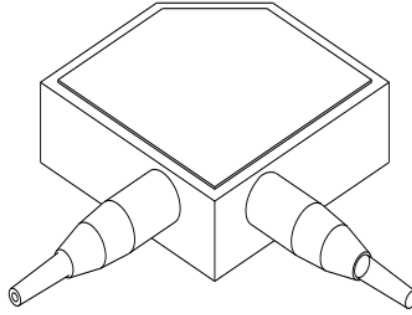
	ITU (Group 1)			
	Odd		Even	
1	196.150	1528.384	196.050	1529.163
2	195.950	1529.944	195.850	1530.725
3	195.750	1531.507	195.650	1532.290
4	195.550	1533.073	195.450	1533.858
5	195.350	1534.643	195.250	1535.429
6	195.150	1536.216	195.050	1537.003
7	194.950	1537.792	194.850	1538.581
8	194.750	1539.371	194.650	1540.162
9	194.550	1540.953	194.450	1541.746
10	194.350	1542.539	194.250	1543.333
11	194.150	1544.128	194.050	1544.924
12	193.950	1545.720	193.850	1546.518
13	193.750	1547.316	193.650	1548.115
14	193.550	1548.915	193.450	1549.715
15	193.350	1550.517	193.250	1551.319
16	193.150	1552.122	193.050	1552.926
17	192.950	1553.731	192.850	1554.537
18	192.750	1555.343	192.650	1556.151
19	192.550	1556.959	192.450	1557.768
20	192.350	1558.578	192.250	1559.389
21	192.150	1560.200	192.050	1561.013
22	191.950	1561.826	191.850	1562.640
23	191.750	1563.455	191.650	1564.271
24	191.550	1565.087	191.450	1565.905
25	191.350	1566.723	191.250	1567.542
26	191.150	1568.362	191.050	1569.183

	ITU (Group 2)			
	Odd		Even	
1	196.100	1528.773	196.000	1529.553
2	195.900	1530.334	195.800	1531.116
3	195.700	1531.898	195.600	1532.681
4	195.500	1533.465	195.400	1534.250
5	195.300	1535.036	195.200	1535.822
6	195.100	1536.609	195.000	1537.397
7	194.900	1538.186	194.800	1538.976
8	194.700	1539.766	194.600	1540.557
9	194.500	1541.349	194.400	1542.142
10	194.300	1542.936	194.200	1543.730
11	194.100	1544.526	194.000	1545.322
12	193.900	1546.119	193.800	1546.917
13	193.700	1547.715	193.600	1548.515
14	193.500	1549.315	193.400	1550.116
15	193.300	1550.918	193.200	1551.721
16	193.100	1552.524	193.000	1553.329
17	192.900	1554.134	192.800	1554.940
18	192.700	1555.747	192.600	1556.555
19	192.500	1557.363	192.400	1558.173
20	192.300	1558.983	192.200	1559.794
21	192.100	1560.606	192.000	1561.419
22	191.900	1562.233	191.800	1563.047
23	191.700	1563.863	191.600	1564.679
24	191.500	1565.496	191.400	1566.314
25	191.300	1567.133	191.200	1567.952
26	191.100	1568.773	191.000	1569.594

Dimension



Interleaver Spec



Colors will be applied to each fiber. There are 3 fibers and proposed colors are as follows: Interleaver:

COM: **Black**, Odd: **Blue**, Even: **RED**

Test Report

The test report should be provided when the products are delivered. Following characteristic test data should be included:

- Insertion Loss@ room temperature
- PDL@ room temperature

Packaging

Following items should be indicated on the outer packaging surface:

- Product Name
- Product Number
- Serial Number

RoHS Compliance

The product is RoHS 6 compliant.

Revision History

Revision	Notes	Authors	Checked	Approval	Date
Rev A0	New release	Virgil			2025-4-21